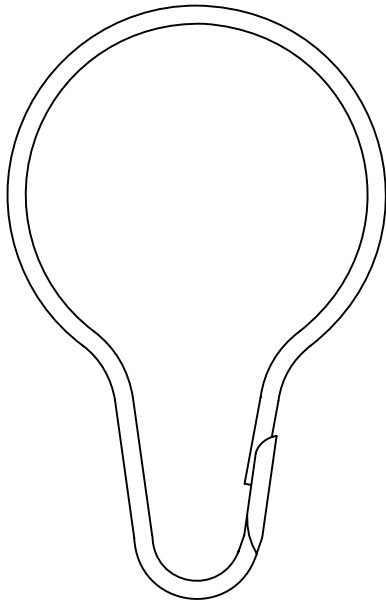


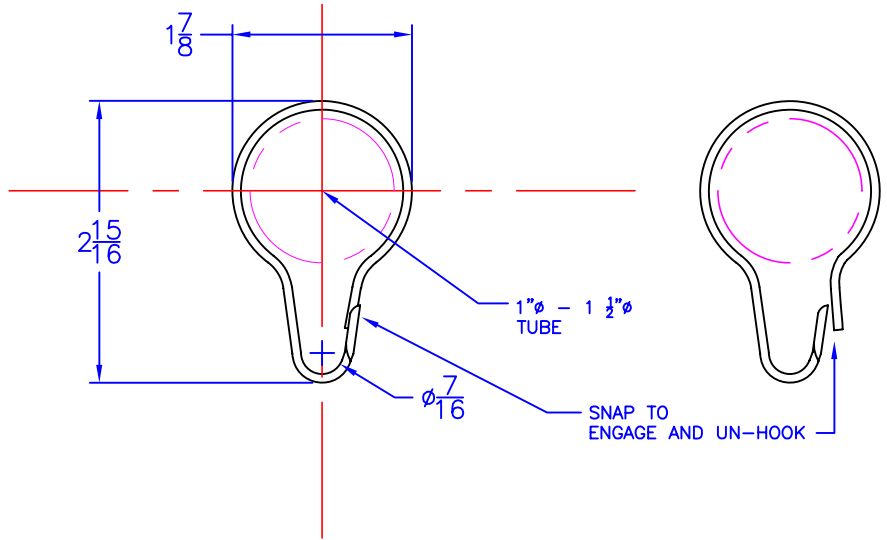


Technical Data U-5311-BS

SHOWER CURTAIN SNAP HOOK



TO SCALE.



Construction:

FORMED ONE PIECE TYPE 304 STAINLESS STEEL X .090-.093 WIRE DIAMETER, BRIGHT STAINLESS FINISH.
SLIDES OVER SHOWER ROD DIAMETERS 1" - 1 1/2".

Operation:

TO BE USED ON SHOWER ROD WITH CURTAIN.

Installation:

UN-HOOK TO INSTALL ON SHOWER ROD.
INSERT THROUGH CURTAIN HOLE OR GROMMET AND RE-HOOK.

Guide Specification:

FORMED ONE PIECE TYPE 304 STAINLESS STEEL X .093 WIRE DIAMETER, BRIGHT STAINLESS FINISH.
SLIDES OVER SHOWER ROD DIAMETERS 1" - 1 1/2".